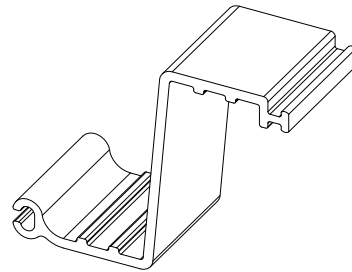


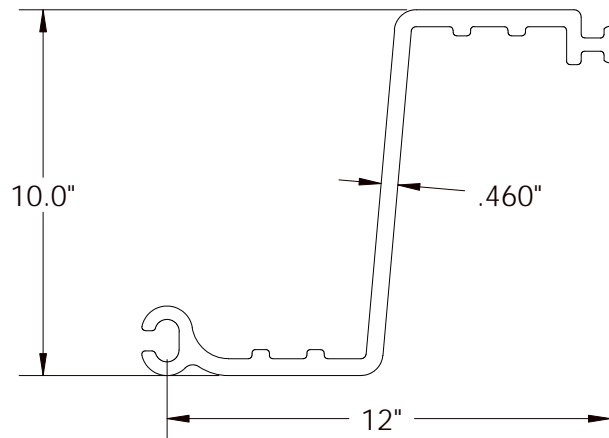


SG-750



Drawn: JAB Date: 06/18/09

Allowable Moment (M)	9,707 ft-lb/ft	43.18 kN-m/m
Section Modulus (Z)	36.4 in ³ /ft	1,957 cm ³ /m
Moment of Inertia (I)	182 in ⁴ /ft	24,854 cm ⁴ /m
Impact Strength	15,000 in-lbs/in ²	2,625 N-mm/mm ²
Thickness (t)	0.460 in	11.7 mm
Section Depth	10.0 in	254 mm
Section Width	12 in	305 mm
Material	Weatherable Rigid Vinyl	
Standard Colors	Grey, Clay	
Profile/Patented Features	Z Profile, I-Beam Lock, Structural Ribs	
Standard Packaging	12 sheets/bundle	



Physical properties are defined by ASTM testing standards, The Aluminum Association Design Manual, and/or standard engineering practice. The values shown are nominal and may vary. The information found in this document is believed to be true and accurate. No warranties of any kind are made as to the suitability of any CMI product for particular applications or the results obtained there from. ShoreGuard, C-Loc, TimberGuard, GeoGuard, Dura Dock, Shore-All, and Gator Gates are registered trademarks of Crane Materials International. ArmorWare, Ultra Composite, GatorDocks, GatorBridge and CMI Waterfront Solutions are trademarks of Crane Materials International. United States and International Patent numbers 5,145,287; 6,000,883; 6,033,155; 6,053,666; D420,154; 6,575,667; 7,059,807; 7,056,066; 7,025,539; 7,393,482; Other patents pending. © 2009 Crane Materials International. All Rights Reserved.